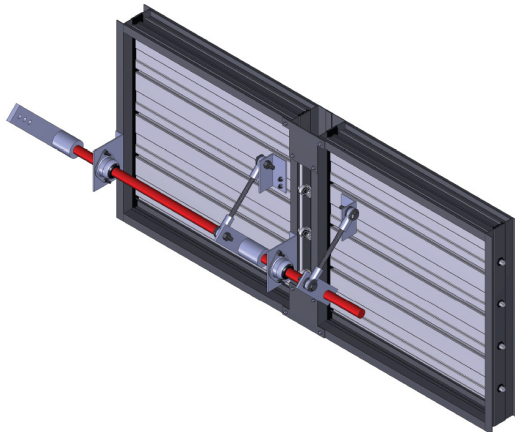


ITEM	STS-75	STS-75SS	STS-100	STS-100SS	OTHER NOTES
JACKSHAFT	Ø 3/4" SHAFT	Ø 3/4" SHAFT -STAINLESS STEEL	Ø 1" SHAFT	Ø 1" SHAFT -STAINLESS STEEL	*MAX. LENGTH OF JACKSHAFT IS 12 FT.
BEARING	Ø 3/4" METCAR BEARING -GRADE 1515 COPPER	SAME AS STS-75	Ø 1" METCAR BEARING -GRADE 1515 COPPER	SAME AS STS-100	---
CONNECTING ROD	3/8" THREADED ROD	3/8" THREADED ROD -STAINLESS STEEL	1/2" THREADED ROD	1/2" THREADED ROD -STAINLESS STEEL	---
ROD END	3/8" SPHERICAL ROD END BEARING	3/8" SPHERICAL ROD END BEARING -STAINLESS STEEL	1/2" SPHERICAL ROD END BEARING	1/2" SPHERICAL ROD END BEARING -STAINLESS STEEL	---
BLADE CRANK ARM	Ø 2" COLLAR WELDED TO A 2" x 6-1/4" x 1/4" THICK FLAT BAR -STEEL (ZINC PLATED)	SAME AS STS-75	SAME AS STS-75	SAME AS STS-75	---
HAND CRANK	10-1/4" x 1/2" THICK -STEEL (ZINC PLATED)	SAME AS STS-75	SAME AS STS-75	SAME AS STS-75	-OPTIONAL -AVAILABLE UPON REQUEST AT ADDITIONAL CHARGE



*Standard construction for dampers made in 2 panels wide (or less) will include **STS-75** (optional **STS-75SS** available)

*Standard construction for dampers made in 3 panels wide (or more) will include **STS-100** (optional **STS-100SS** available)